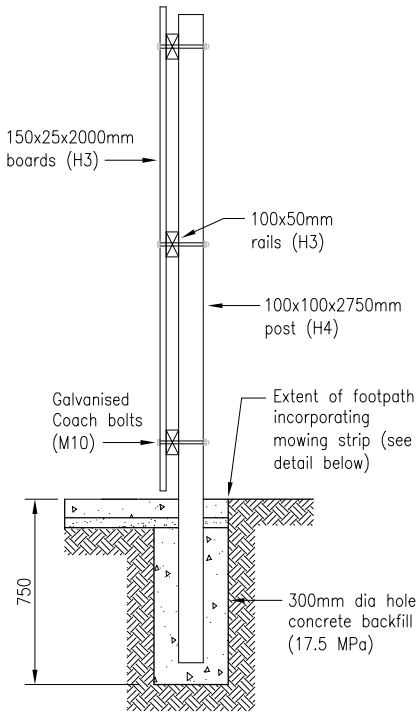
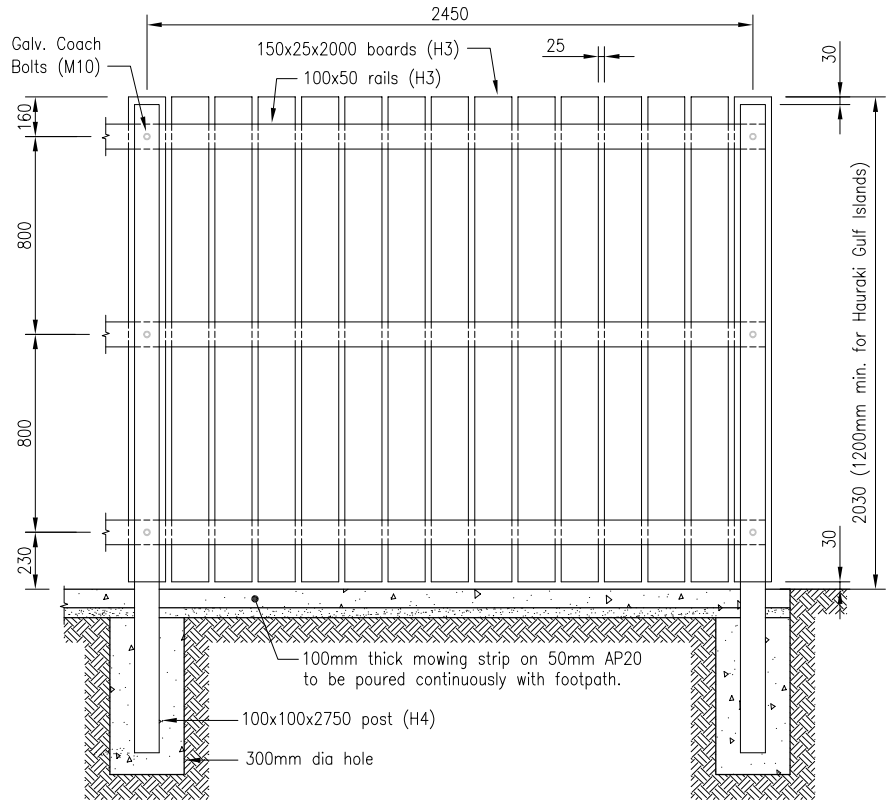


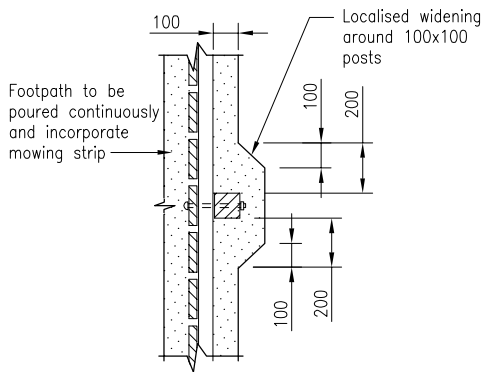
Note:
Fence type D footing concrete strength min 17.5 MPa.



SIDE ELEV. TYPE D



ELEVATION FENCE TYPE D



MOWING STRIP DETAIL

NOTES

1. Timber:
All timber to be retention tanned pine and dressed 4 sides.
2. Paint:
Prime timber before assembly and paint with two coats approved white paint.

PREPARED BY:



AUCKLAND CITY
Transport

FENCE TYPE D

SCALE : NTS.

DRAWN : RWM

ISSUE DATE : 11/2008

APPROVED :

PLAN No. ISSUE A

2008/0402