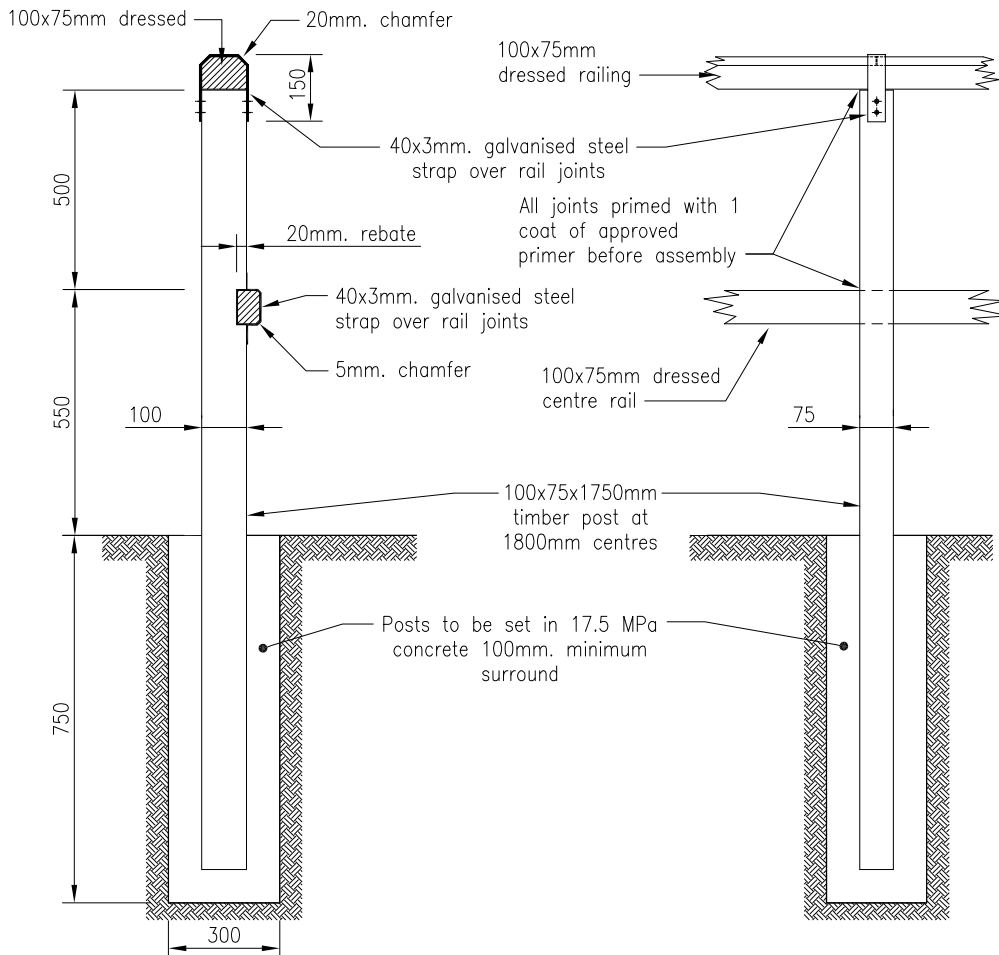


**NOTES:**

1. Posts to be tanalised to H4 standard.
2. Rails to be tanalised to H3 standard.
3. All posts and rails above ground are to be treated with two coats of high build enamel or similar painting system approved by the Engineer.

**HANDRAIL TYPE A**



**HANDRAIL TYPE B, END AND SIDE ELEVATION**

PREPARED BY:



**AUCKLAND CITY**  
 Transport

**HANDRAIL TYPE A AND B**

SCALE : NTS.

DRAWN : R.A.A.

ISSUE DATE : 11/2008

APPROVED :

PLAN No. ISSUE A

2008/0412