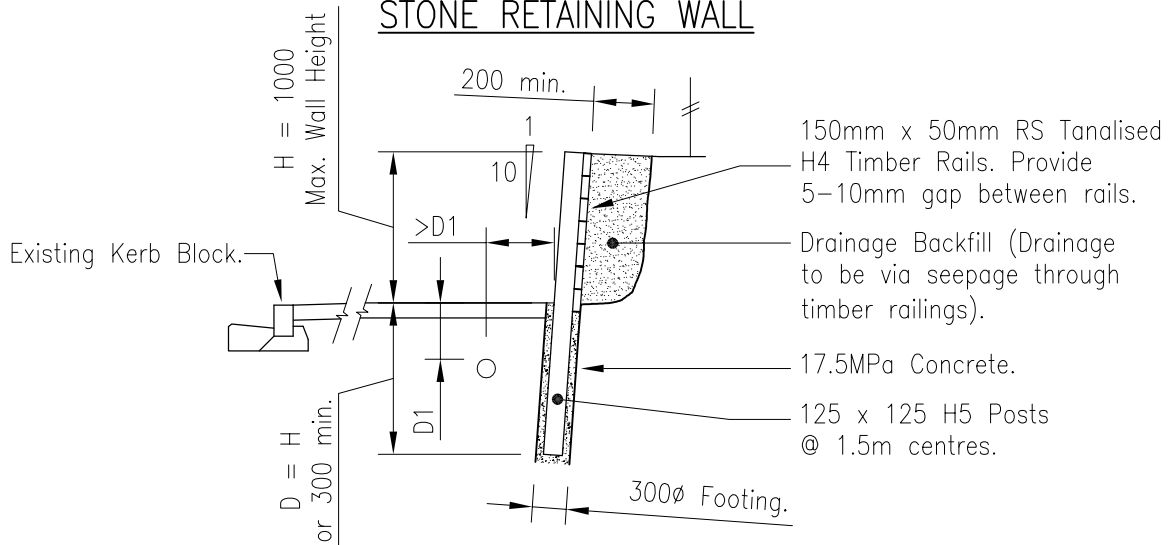
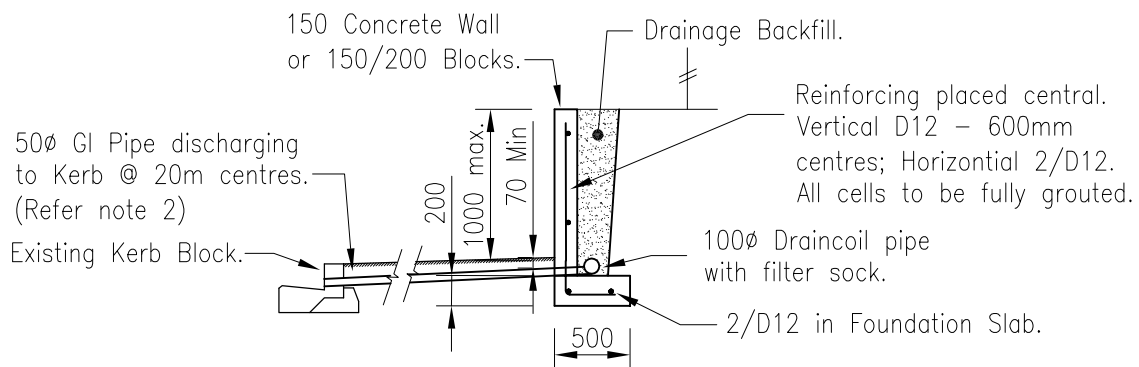


### STONE RETAINING WALL



### TIMBER RETAINING WALL



### REINFORCED CONCRETE / BLOCK WALL

#### NOTES

1. All work is to be within the Road Reserve, unless specific approval has been obtained from the adjoining Landowner.
2. Minimum 70mm cover under footpath to be provided.

PREPARED BY:



**AUCKLAND CITY**  
Transport

FOOTPATH RETAINING  
WALLS - <1.0m HIGH

SCALE : NTS

DRAWN : JZW

ISSUE DATE : 11/2008

APPROVED :

PLAN No. ISSUE A

2008/0418