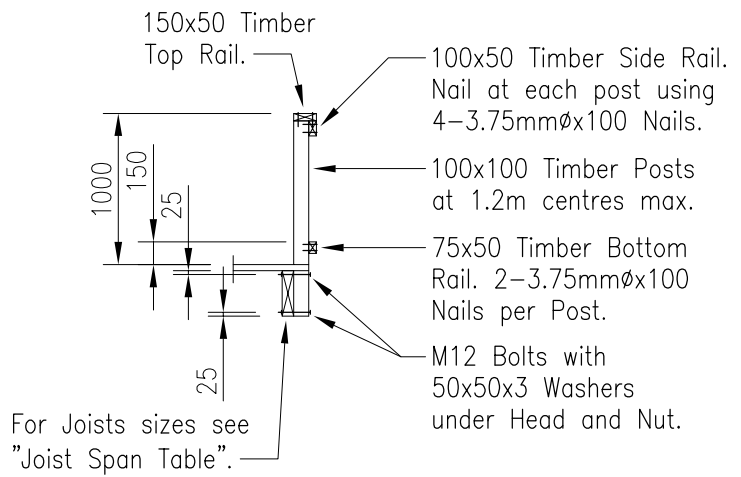
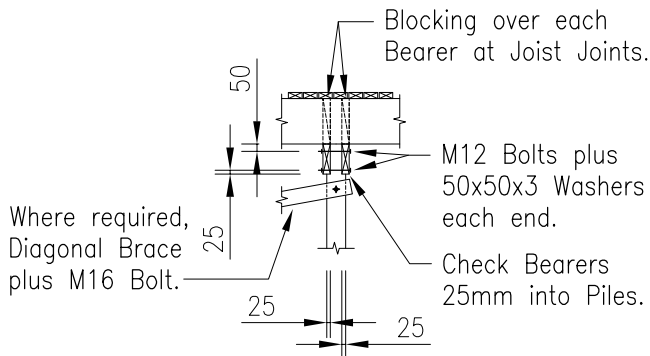


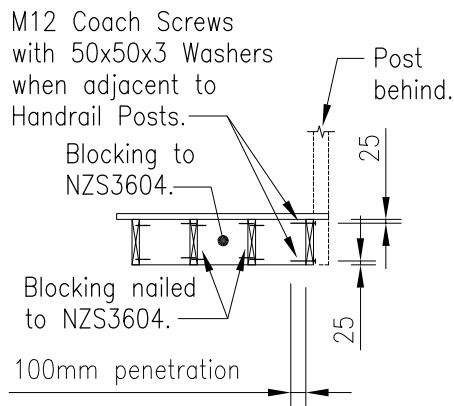
ALSO REFER TO DRAWINGS
2008/0419, 2008/0420
AND 2008/0422.



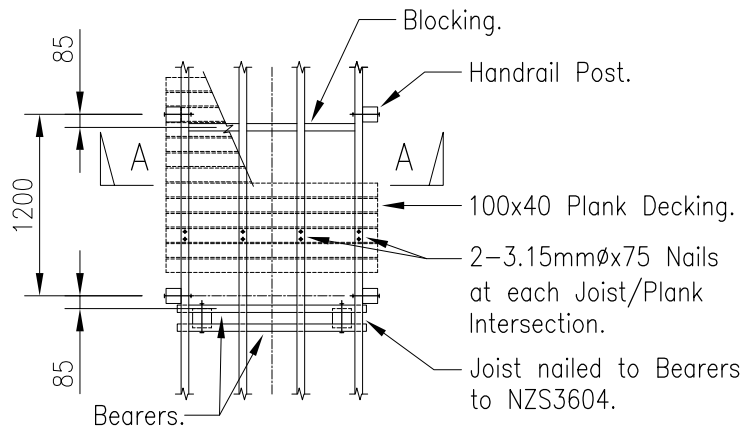
BALUSTRADE DETAIL



**DETAIL 1
BEARER/PILE DETAIL**



SECTION A - A



**PART PLAN
BELOW DECKING**

PREPARED BY:



AUCKLAND CITY
Transport

BOARDWALK
SECTIONS AND DETAILS

SCALE : NTS

DRAWN : MKG

ISSUE DATE : 11/2008

APPROVED :

PLAN No. ISSUE A

2008/0421