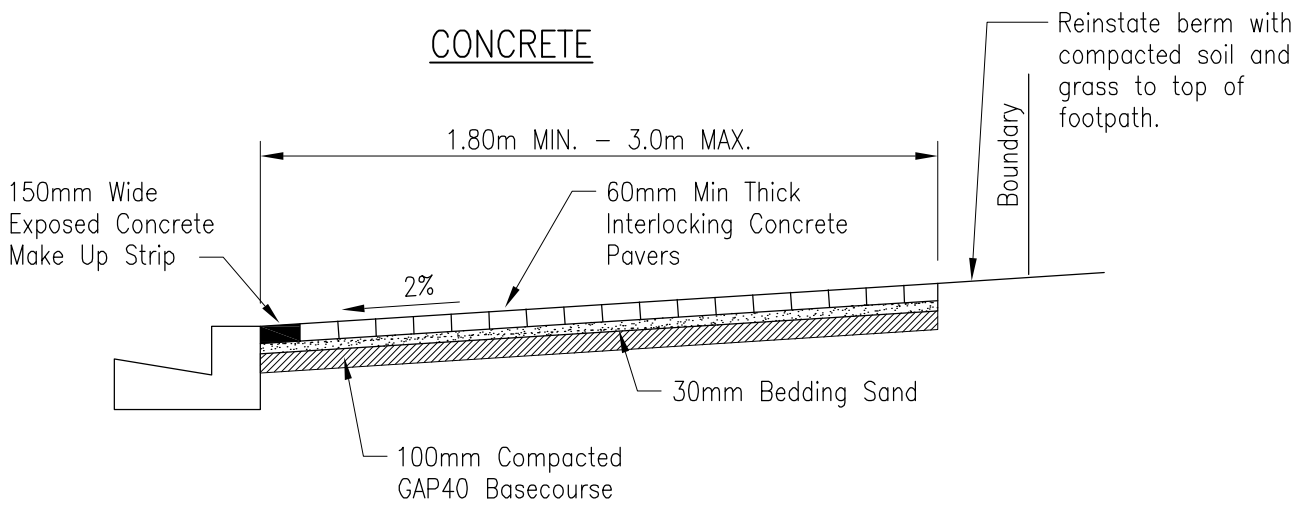


CONCRETE



INTERLOCKING PAVERS

NOTE:

1. Refer Dwg 2008/0614 for Vehicle Crossing Details
2. Where approved by The Engineer, footpath width may be reduced to 1.4m where required due to site constraints.

PREPARED BY OPUS:



**AUCKLAND CITY**  
Transport

HAURAKI GULF ISLANDS  
FOOTPATH CONSTRUCTION  
TYPICAL SECTIONS

SCALE :	NTS
DRAWN :	JZW
ISSUE DATE :	11/2008
APPROVED :	
PLAN No.	ISSUE B
2008/0604	