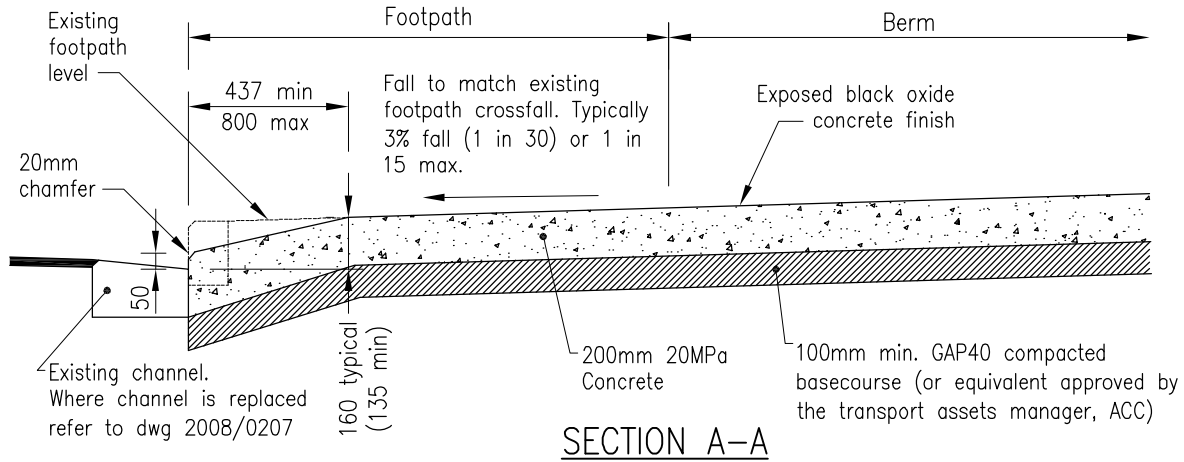
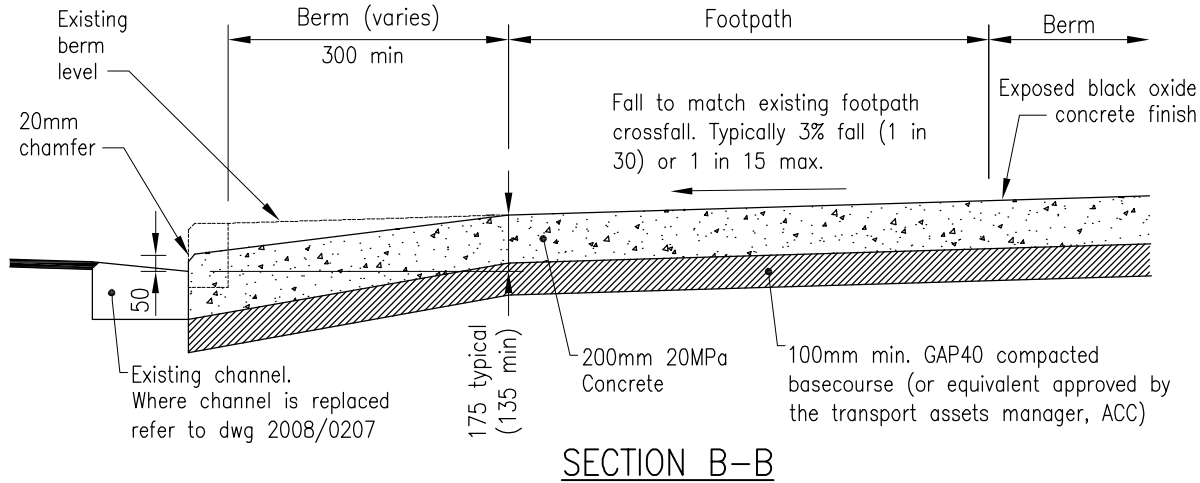


**VEHICLE CROSSING
FOOTPATH NEXT TO KERB**

**VEHICLE CROSSING-FOOTPATH
SEPARATED FROM KERB**



SECTION A-A



SECTION B-B

PREPARED BY OPUS:



AUCKLAND CITY
Transport

**CONCRETE VEHICLE CROSSING
INDUSTRIAL/COMMERCIAL**

SCALE :	NTS
DRAWN :	TA
ISSUE DATE :	11/2008
APPROVED :	
PLAN No.	ISSUE B
2008/0613	