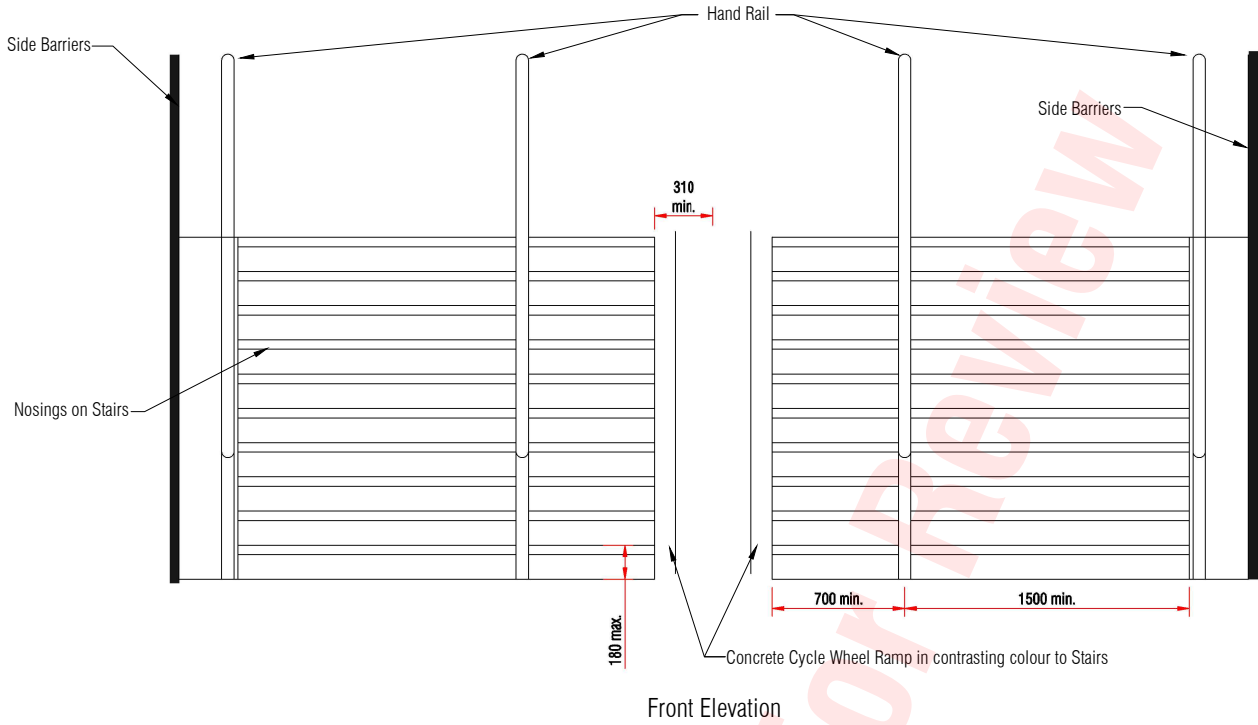
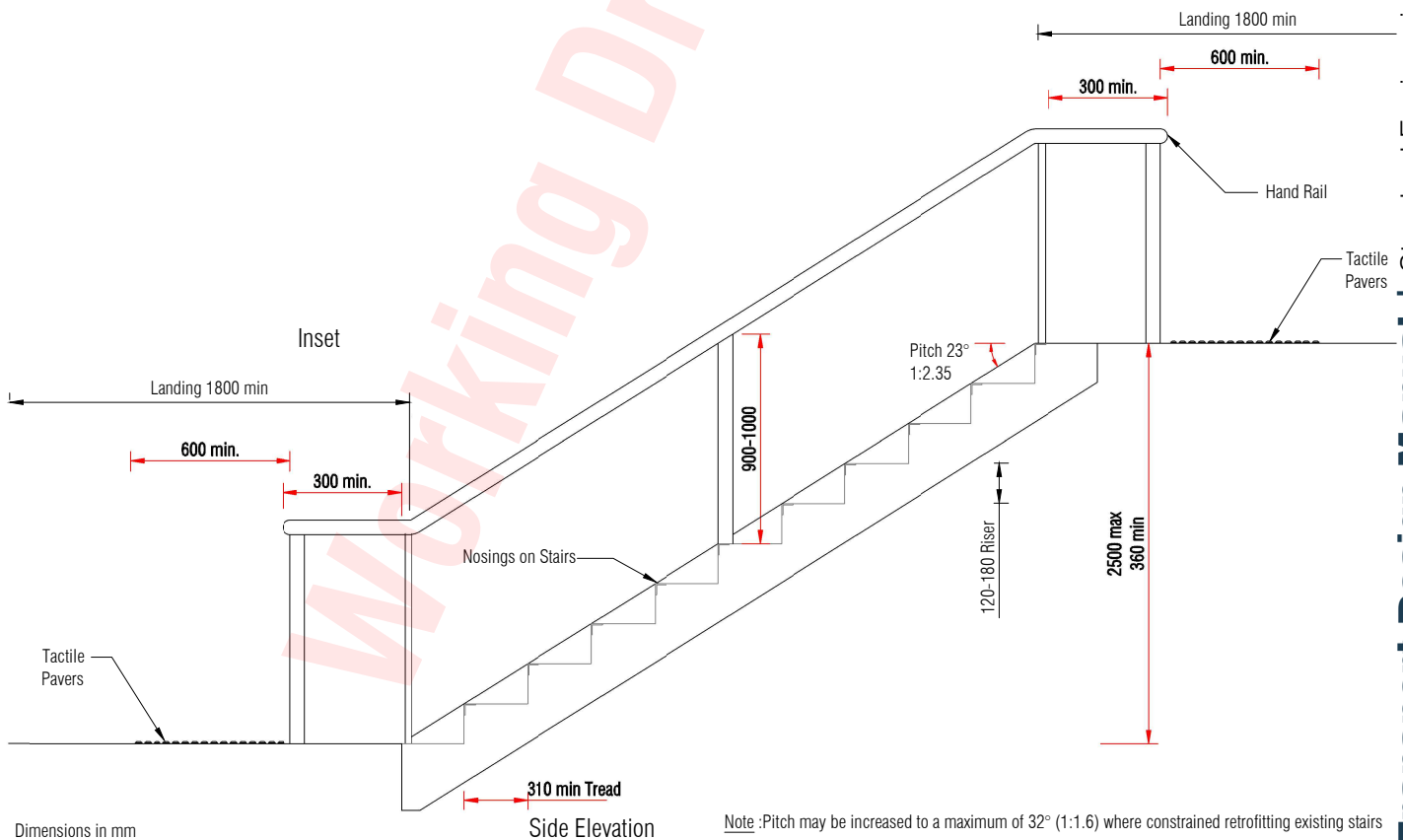


Structures Index	
SED_NO	Title
ST0000	Structures Index
ST0001	Cycle friendly stairs - Type 1
ST0002	Cycle friendly stairs - Type 2
ST0003	Cycle friendly stairs - Type 3
ST0004	Footpath retaining walls < 1.5m high

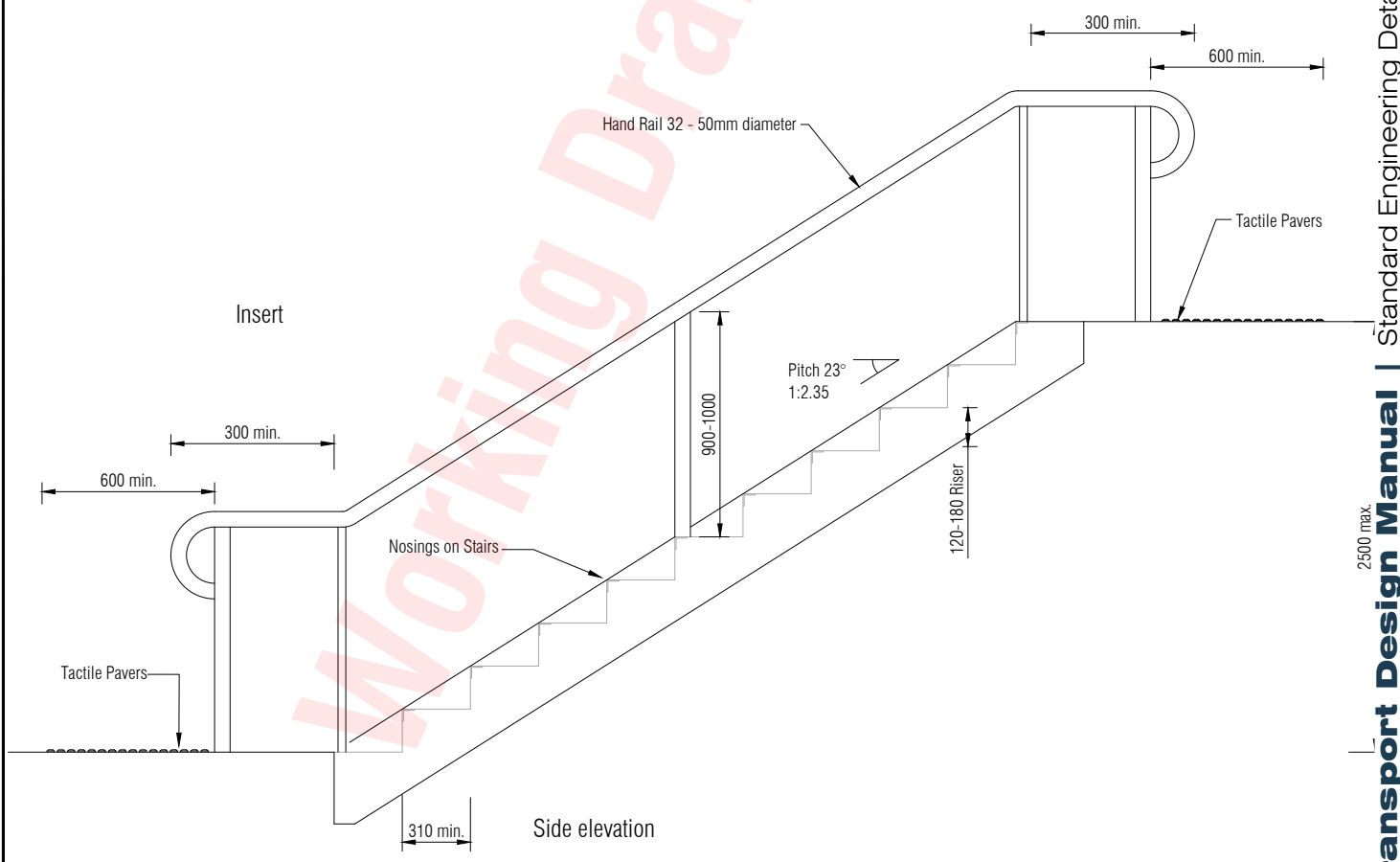
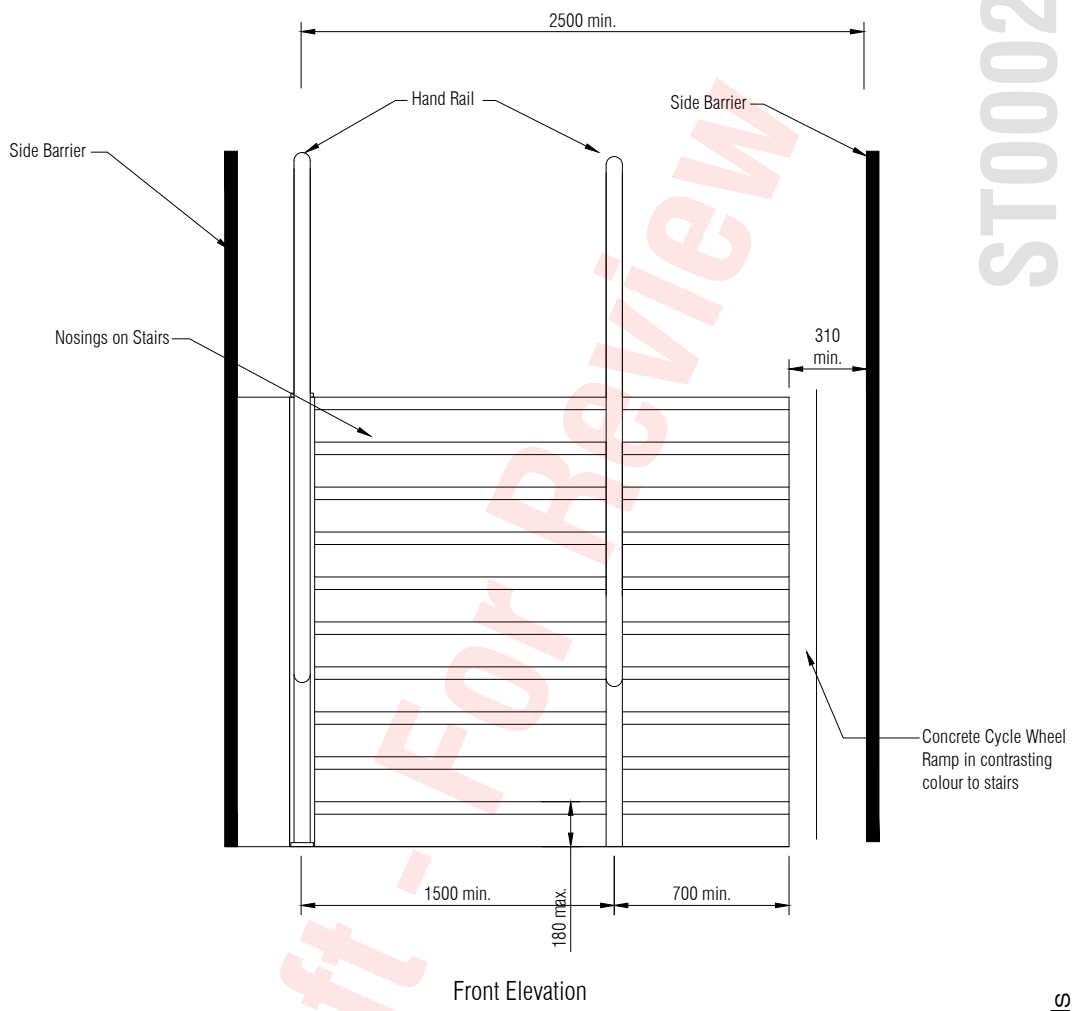
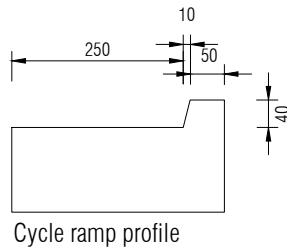


Front Elevation



Dimensions in mm

Note: Pitch may be increased to a maximum of 32° (1:1.6) where constrained retrofitting existing stairs



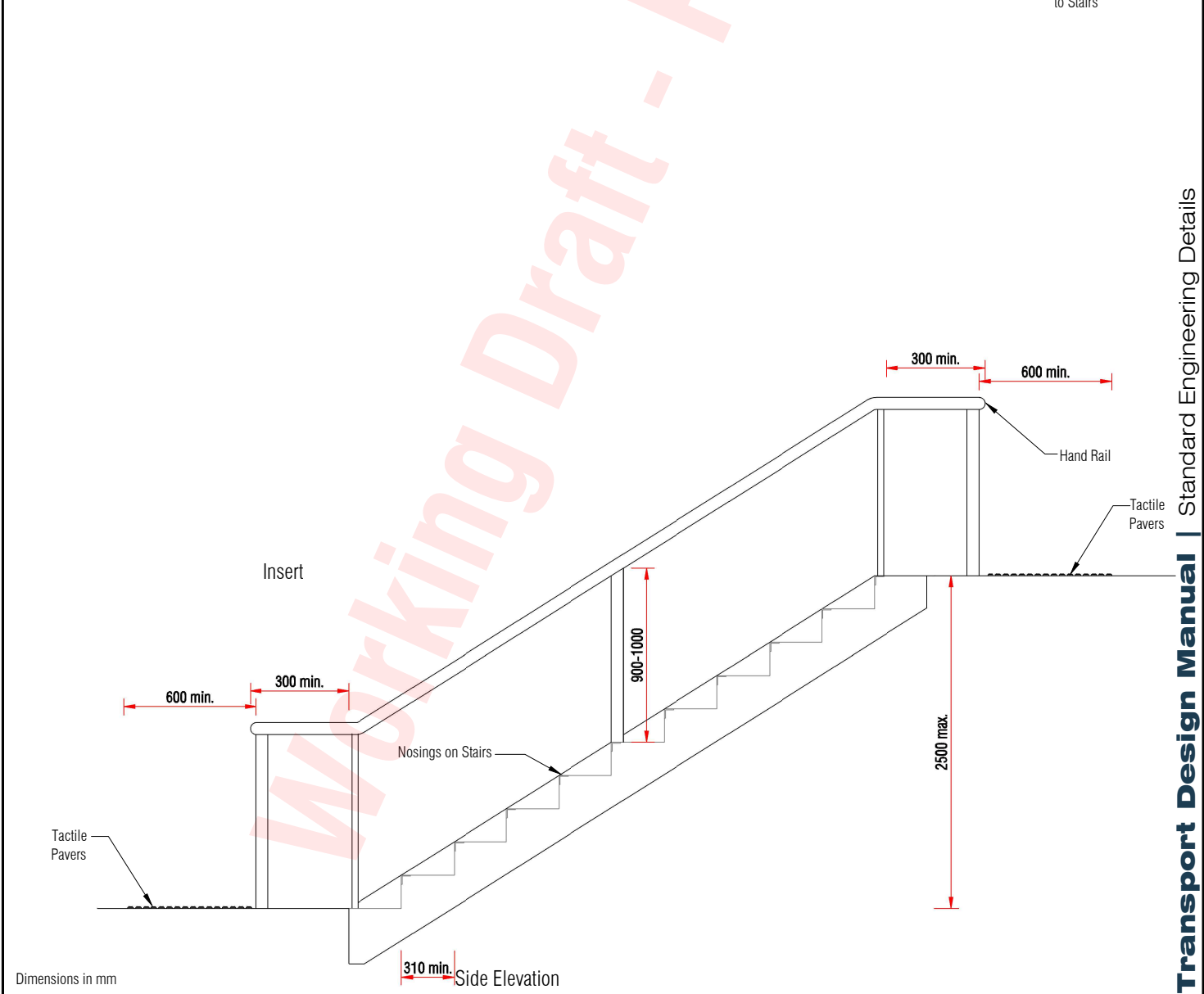
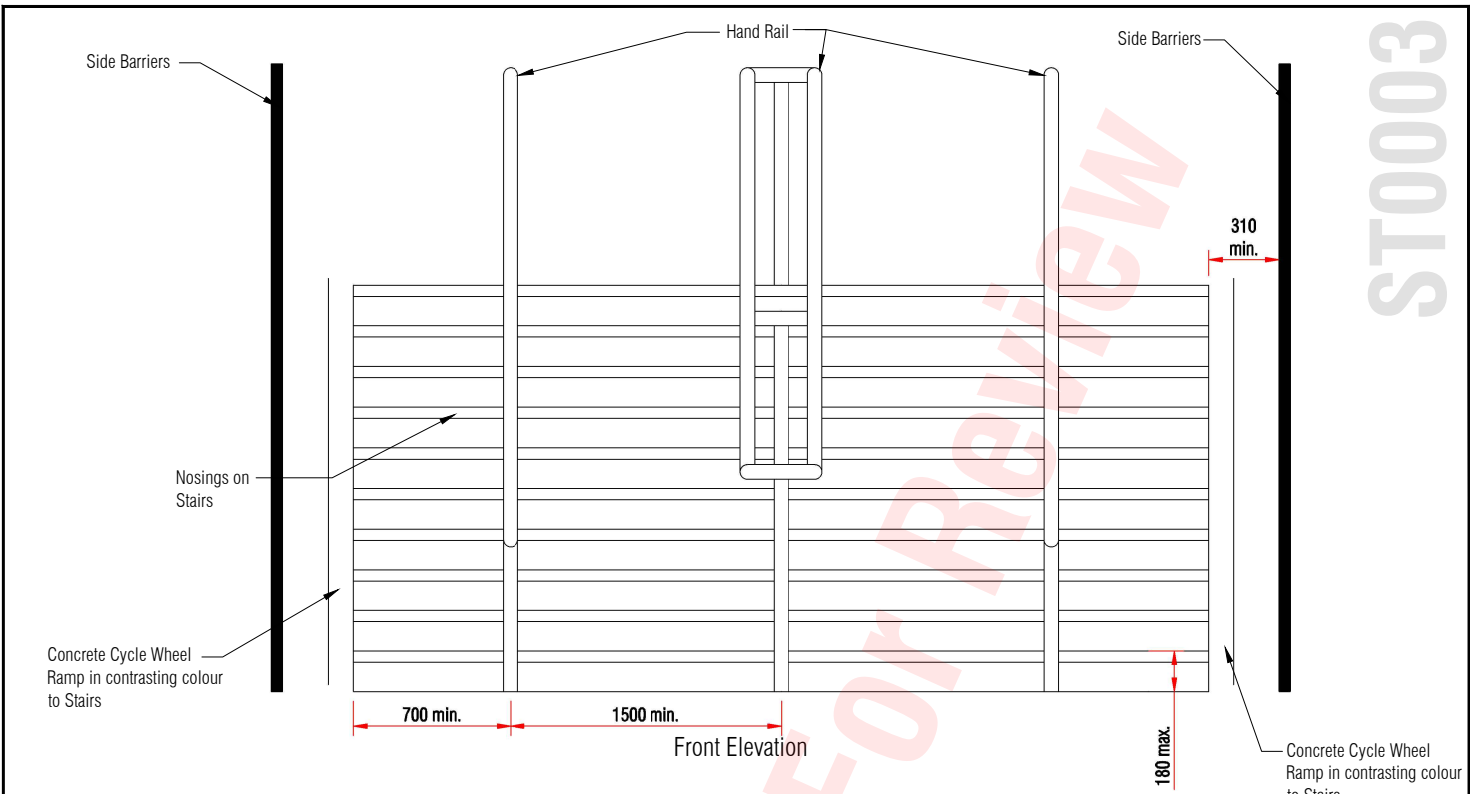
Dimensions in mm Note: Pitch may be increased to a maximum 32° (1:1.6) where cycle ramp profile retrofitting existing stairs

Review 1

DATE: February 14, 2020

TDM TECHNICAL STANDARDS
Cycle friendly stairs - Type 2

Date: **Document in Review**
SED No. **ST0002** Version **A**



Dimensions in mm

Review 1

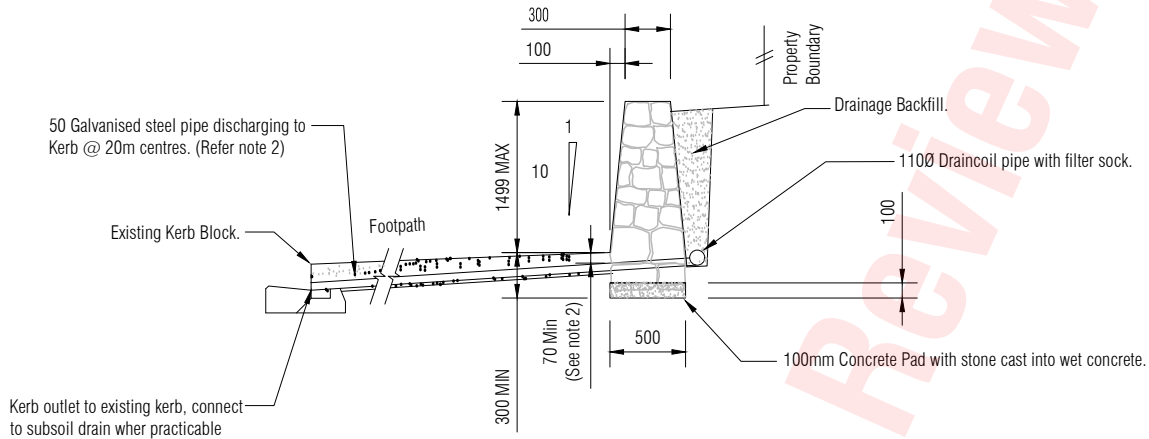
DATE: February 14, 2020

TDM TECHNICAL STANDARDS

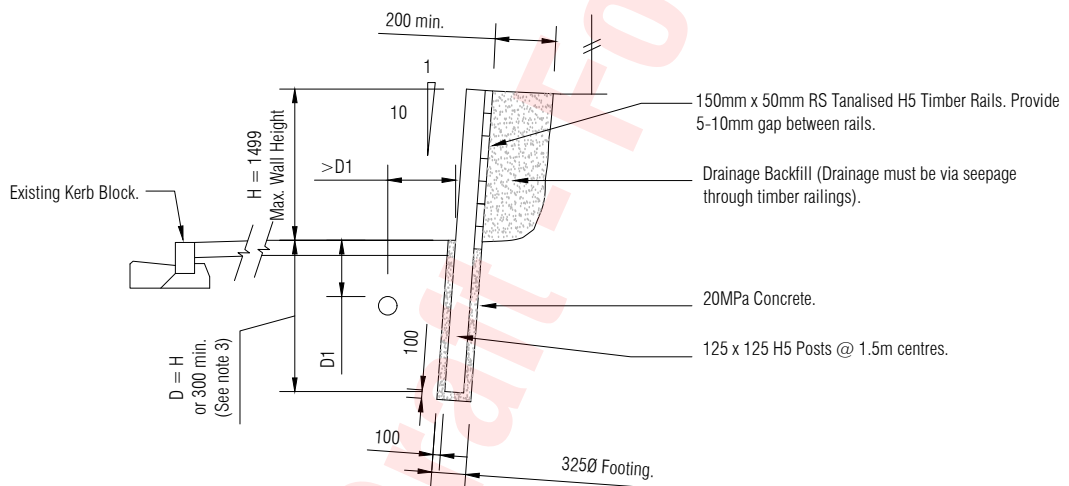
Cycle friendly stairs - Type 3

Date: **Document in Review**

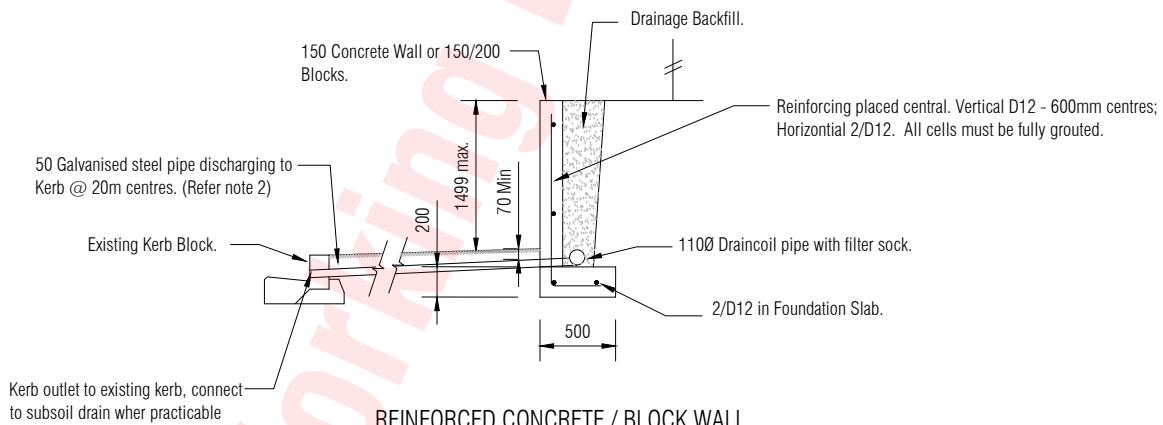
SED No. **ST0003** Version **A**



STONE RETAINING WALL



TIMBER RETAINING WALL



REINFORCED CONCRETE / BLOCK WALL

NOTES

1. All work is must be within the Road Reserve, unless specific approval has been obtained from the adjoining Landowner.
2. Minimum 70mm cover under footpath to be provided.
3. Minimum embedded depth to be same length as exposed height unless less than 300mm, then D = 300mm.