

Cycling Infrastructure Index

SED_NO	Title
CY0000	Cycle infrastructure index
CY0001	Cycle way handrail details
CY0002	Cycle stand details
CY0003	Cycle stand details
CY0004	Cycle separator details (400mm Wide)
CY0005	Cycle separator details (600mm Wide)
CY0006	Cycle separator details (800mm Wide)

Review**1**

DATE: February 14, 2020

TDM TECHNICAL STANDARDS

Cycle infrastructure index

Date:

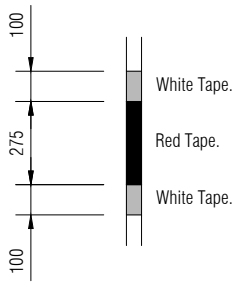
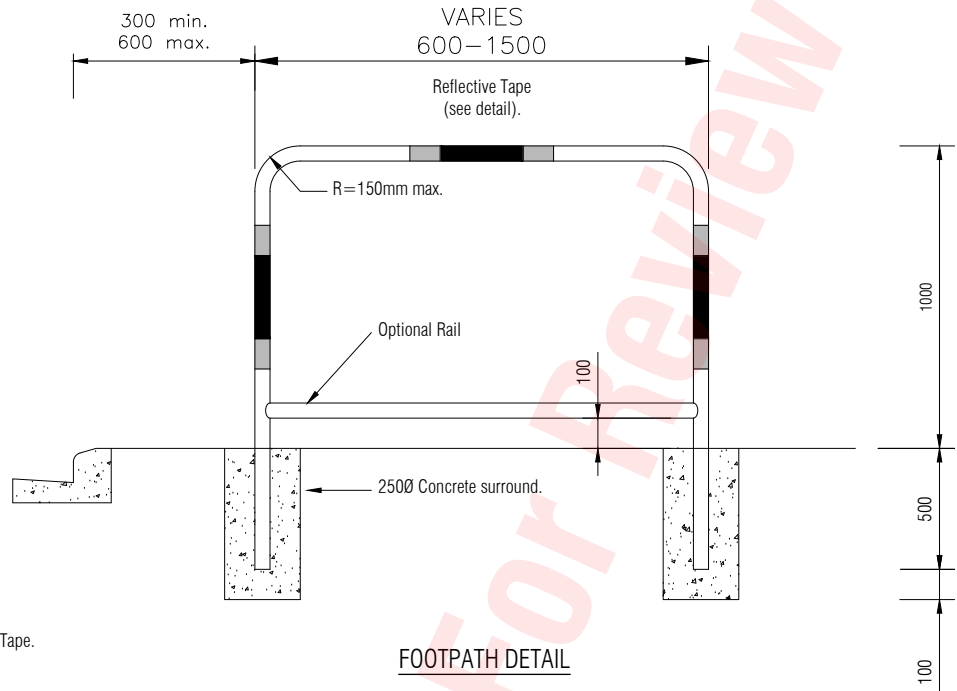
Document in Review

SED No.

CY0000

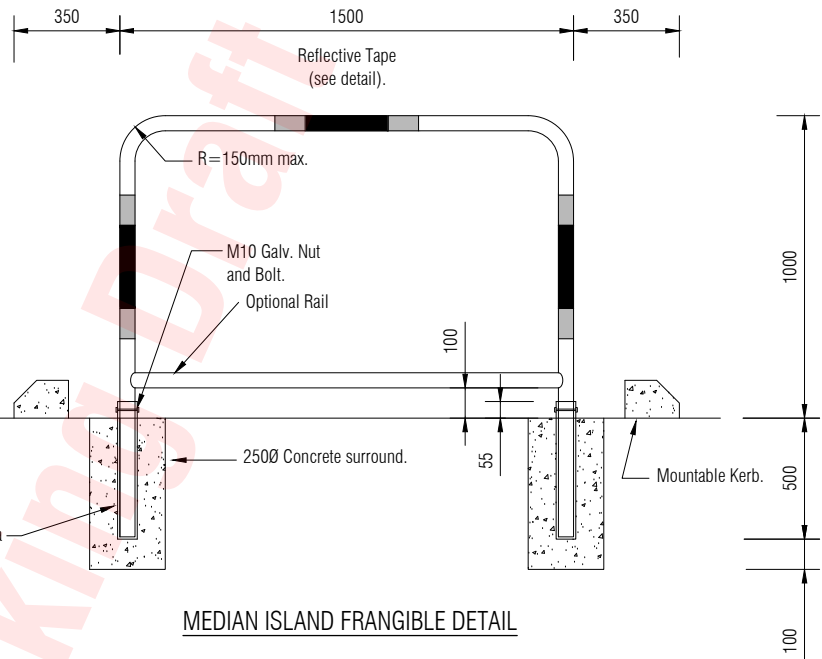
Version

A



Reflective Tape must be Class 1 (AS/NZS 1906.1).

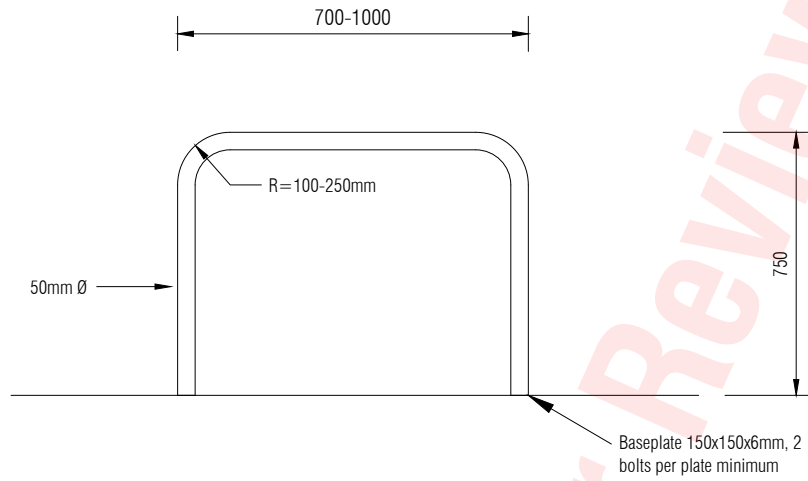
**REFLECTIVE TAPE
DETAIL**



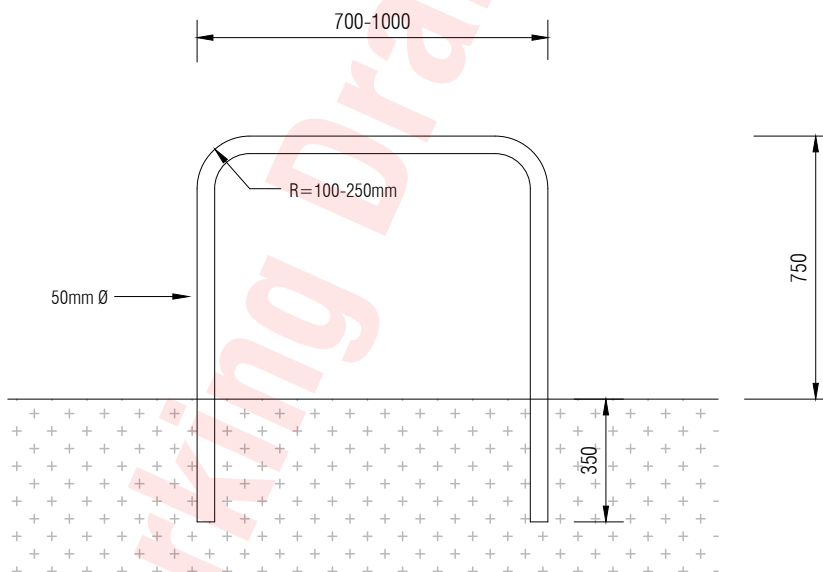
Galv. Pipe of suitable diameter to act as a sleeve for mounting the Handrail.

NOTES

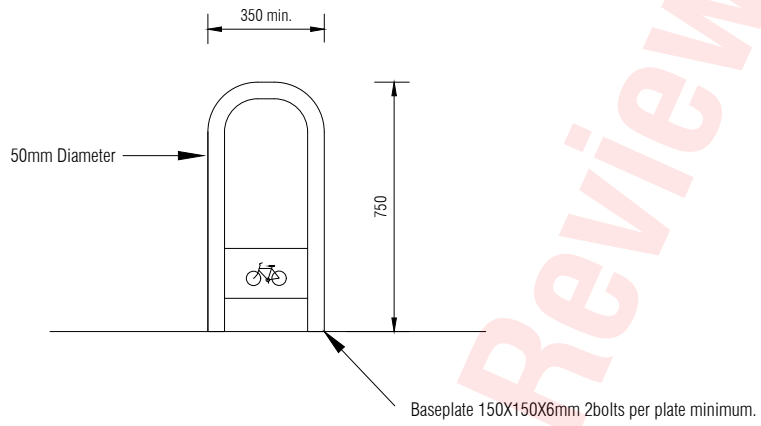
1. Hand rails must be made from 50mmØ medium wall thickness Galv. tube then powder coated with an AT approved coating



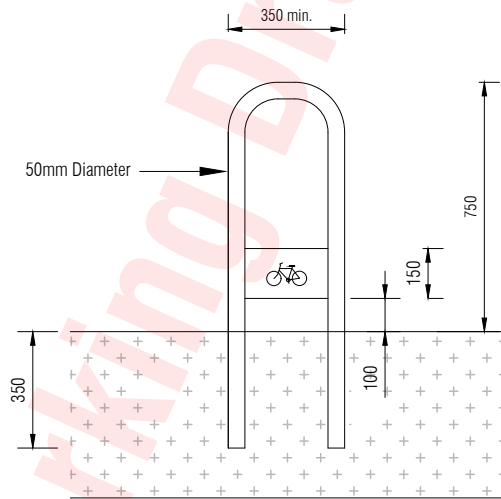
SHEFFIELD STAND DESIGN
SURFACE MOUNTED



SHEFFIELD STAND DESIGN
IN-GROUND



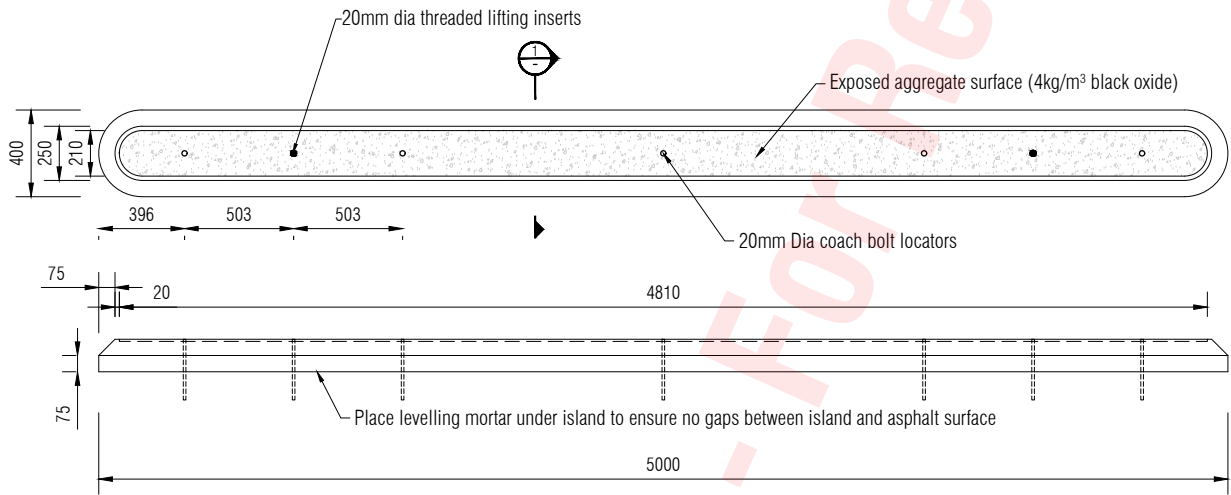
HARROGATE STAND DESIGN
SURFACE MOUNTED



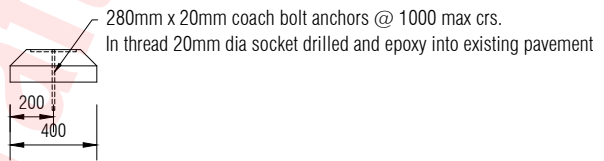
HARROGATE STAND DESIGN
IN-GROUND

Working Draft - For Review

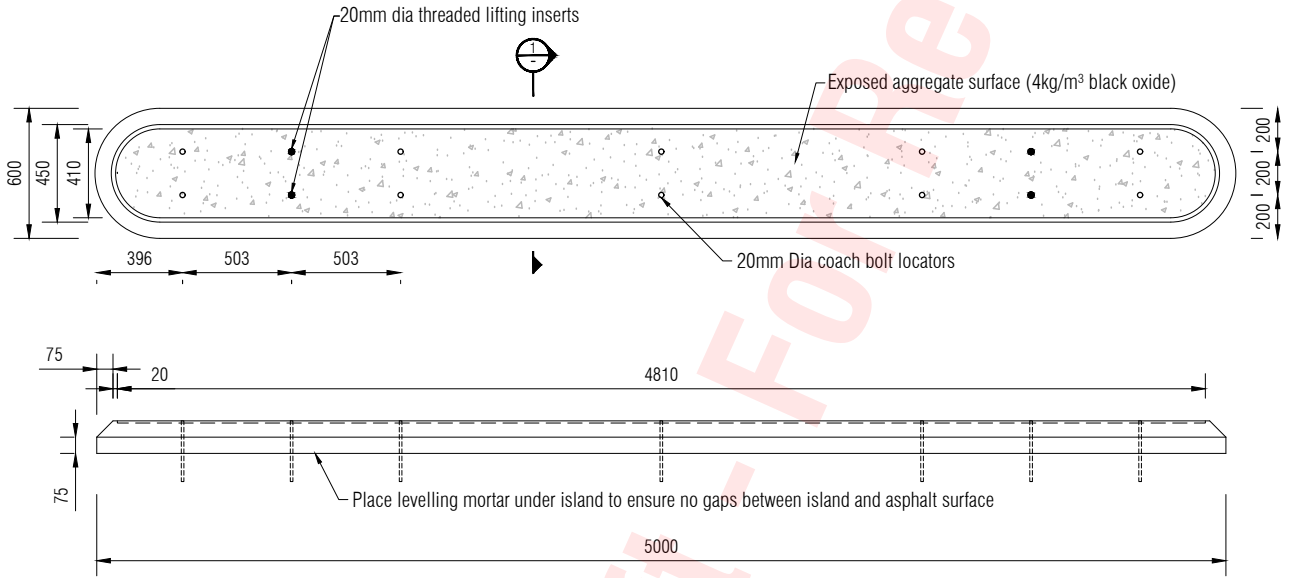




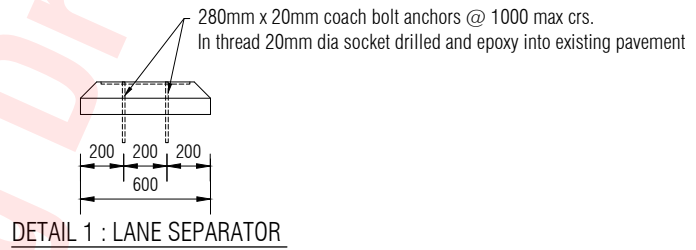
STANDARD PRECAST CYCLE SEPARATOR ISLAND DETAIL

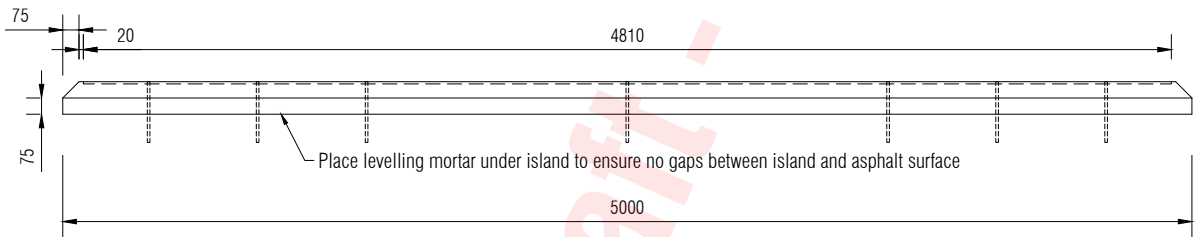
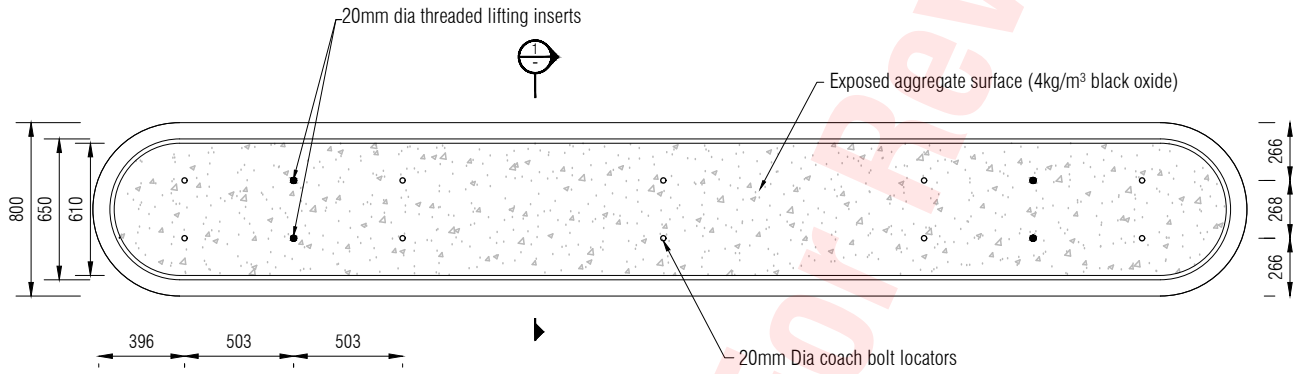


DETAIL 1 : LANE SEPARATOR

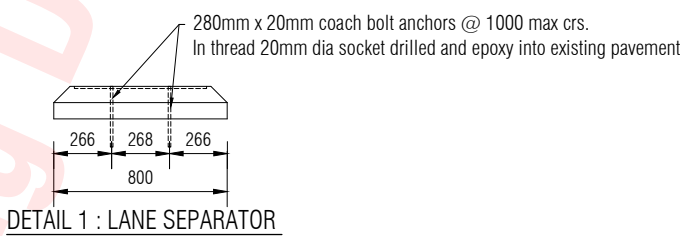


STANDARD PRECAST CYCLE SEPARATOR ISLAND DETAIL





STANDARD PRECAST CYCLE SEPARATOR ISLAND DETAIL



Working Draft - For Review