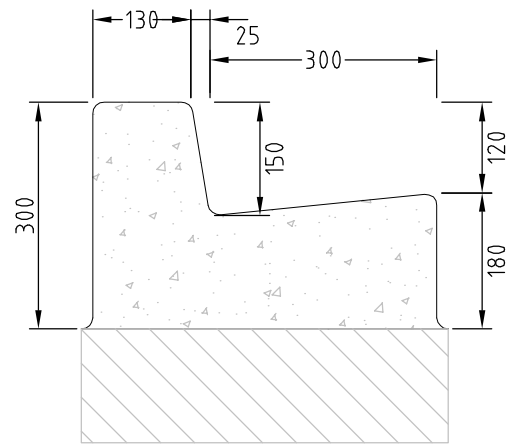
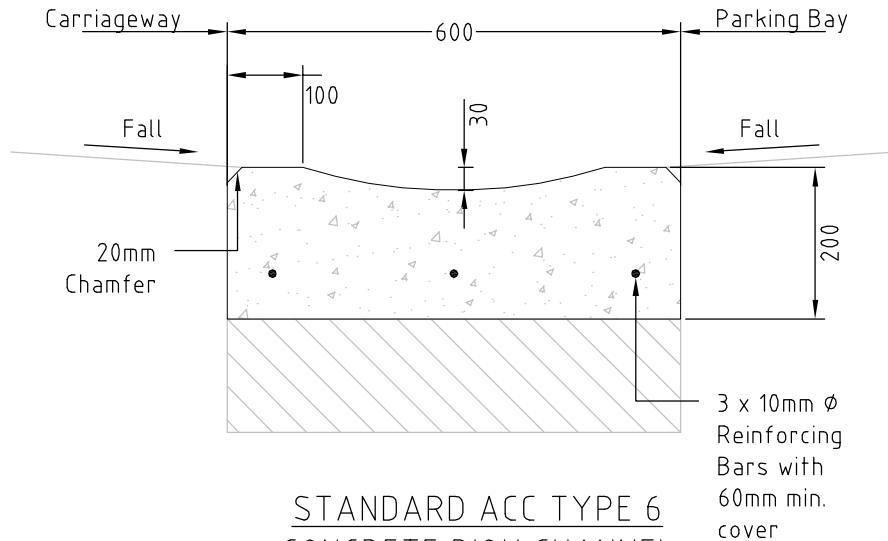


STANDARD ACC TYPE 4
EXTRUDED KERB ONLY



STANDARD ACC TYPE 2
EXTRUDED KERB AND CHANNEL



STANDARD ACC TYPE 6
CONCRETE DISH CHANNEL

NOTES:

1. Extruded kerbs cracking control joints to be formed or saw cut at maximum 6m. intervals to coincide with every second concrete footpath sawcut joint (if kerb is adjacent to a footpath).
2. Kerbings to be laid on 300mm. min GAP 65 subbase along roads and 100mm AP40 along footpaths for subgrade CBR >3. For subgrade CBR <3, roads and footpaths to be undercut and backfilled with appropriate backfill material.
3. Required concrete grade for extruded kerbs is 25MPa.
4. 4kg/m³ of black oxide required for all kerb and channel.
5. Refer to Auckland City Council Standard Engineering Details for Construction Notes.
6. This detail only applies to Mt. Wellington Quarry Code of Subdivision.

PREPARED BY OPUS:



AUCKLAND CITY
Transport

MT WELLINGTON QUARRY
KERB DETAILS
(WITH BLACK OXIDE)

SCALE : NTS

DRAWN : JWF

ISSUE DATE : 11/2008

APPROVED :

PLAN No. ISSUE B

2008/1306