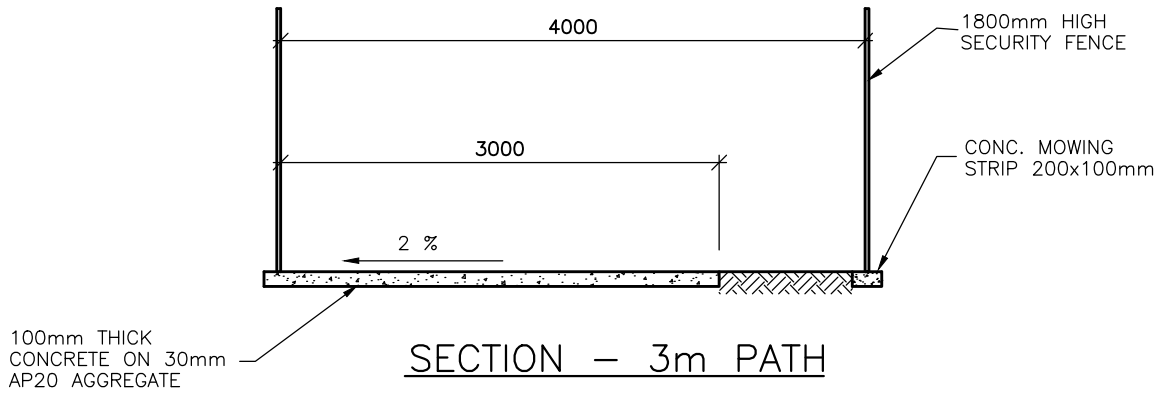


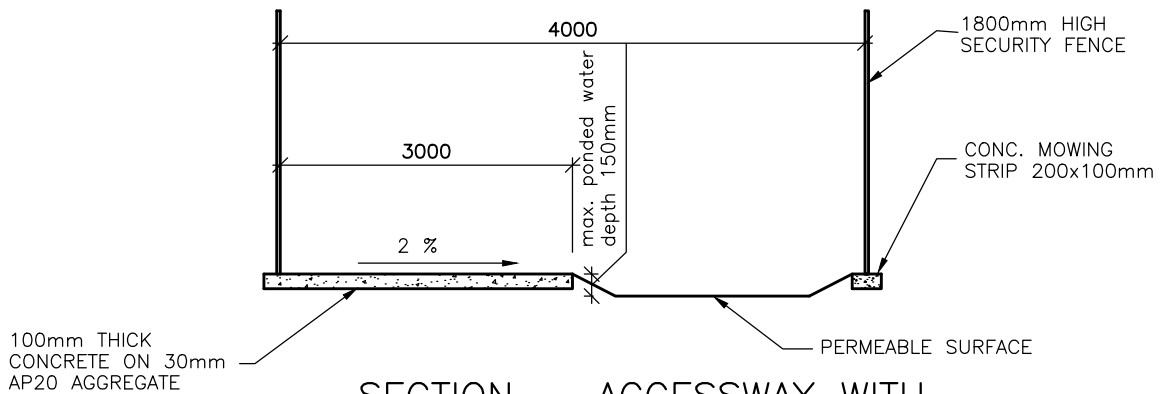
**ALTERNATIVE SECTION**

SCALE 1 : 50



**SECTION – 3m PATH**

SCALE 1 : 50



**SECTION – ACCESSWAY WITH SWALE/RAINGARDEN**

SCALE 1 : 50

ENGINEERING STANDARDS MANUAL

ISSUE SEPTEMBER 2010

**PEDESTRIAN & CYCLIST ACCESSWAY ALTERNATIVE LAYOUTS**

STANDARD DETAIL

**SD3.17.1**